

2 PART SYNTHETIC SILL

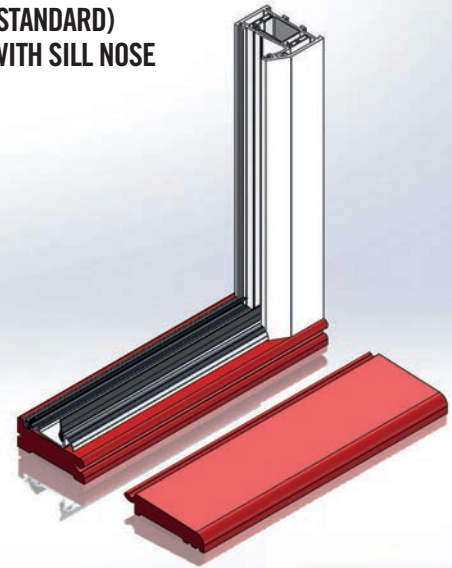
www.igdoors.co.uk



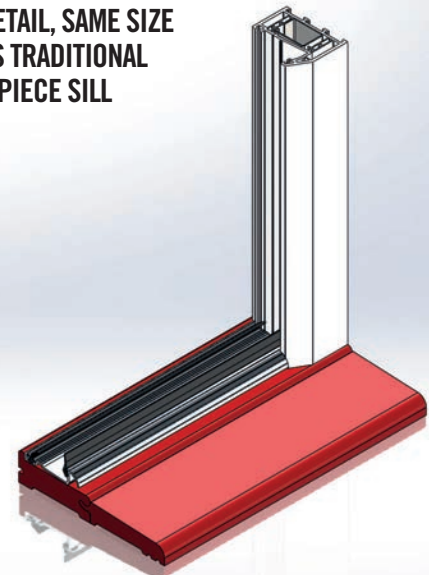
ADVANTAGES

- Less damage and less space required for storage and transport.
- Nose can be fitted as the door is installed or at the end of the build process which reduces the risk of damage.
- 3 sizes of nose available to suit different construction details (see table).
- Noses are interchangeable if the need arises on site to overcome any issue encountered during the build.
- No need to replace the whole frame if damage occurs to the sill as would be the case with a traditional one piece sill.

**SILL BASE
(STANDARD)
WITH SILL NOSE**



**ASSEMBLED SILL
DETAIL, SAME SIZE
AS TRADITIONAL
1 PIECE SILL**

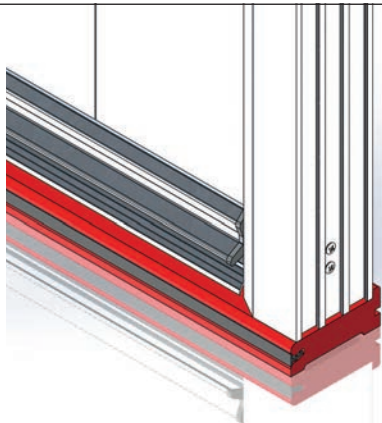


2 PART SILL LENGTHS (mm)

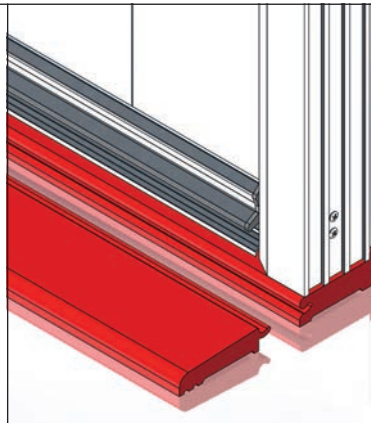
PVC FRAME	147	160	190
TIMBER FRAME	159	172	202

2 PART SYNTHETIC SILL

All door units with PVC frame (70mm) and timber frame (82mm) supplied with the sill base piece fitted to the frame.

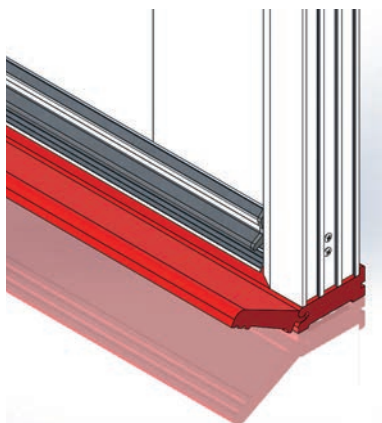


Sill base with gasket pre-inserted.

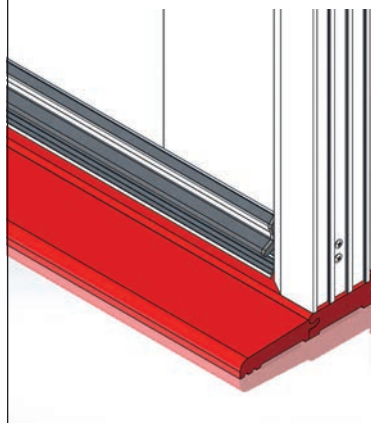


Sill nose loose for site fitting.

ASSEMBLY

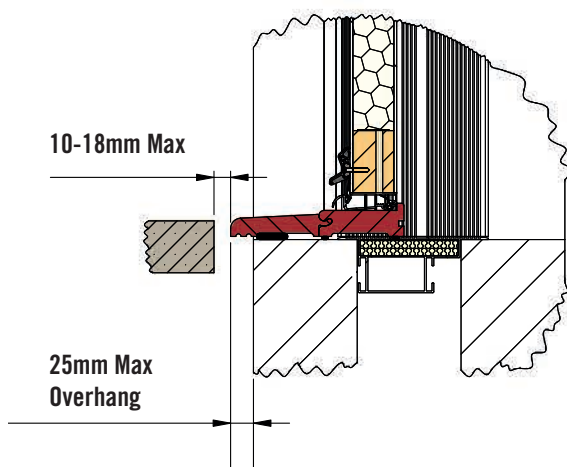


Remove protective gasket from the joint in the sill base and discard. Offer the sill nose to the base piece at an angle and insert into the groove of the sill base.



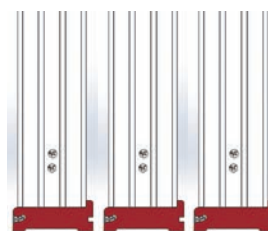
Rotate sill nose downwards until it sits flat on the supporting floor.
NOTE: Do not seal the groove in the sill base, seal underneath the sill only.

CONSTRUCTION DETAIL



NOTE: Construction detail shown is a generic detail only, customer to refer to site construction information for full build detail.

STORAGE



Less space required for storage on site, units will stack easier as there is no protruding sill.

